



THE PROPAGATOR

8 Donner St.
Holmdel, NJ 07733
Editor: Bob Buus, W2OD

MAY 2012

UPCOMING GSARA MEETINGS

The next regular meeting of the GSARA will be held on **Wednesday, May 2 at 7:30 PM** and it will feature Dr. Rebecca Mercuri, KA3IAX presenting "Weird Antennas of New Jersey." (See right column). Don't miss this fascinating talk. As usual, light refreshments will be served and guests are always welcome.

The second meeting in May will be held on **Wednesday, May 16 at 7:30 PM** at the Red Cross. This will be our regular business meeting for May. Guests are always welcome and refreshments will be served.

W2GSA HAMFEST SATURDAY MAY 12

Don't miss the GSARA Hamfest on Saturday, May 12 at MOESC, 100 Tornillo Way in Tinton Falls. Vendor's setup starts at 6 am and buyers admitted at 7 am. Admission is \$5 per person and parking is free. Talk-in on 147.045 +600 PL 67.0. For more information, contact Joe, w2kq@arrl.net or 732-493-4236.

NEW JERSEY SHORE MARATHON

Between 18 and 20 hams are needed for the NJ Marathon at the Shore on May 6, starting at 6:00 a.m.

Sunday, May 6, 2012 Full: 8:00am, Half and Relay: 6:50am.

Monmouth Park Racetrack, Asbury Park Boardwalk, Long Branch Promenade, and others.

175 Oceanport Avenue, Oceanport, NJ

The website is: <http://www.njmarathon.org/>

Anyone wishing to participate, please contact Gary, K2ITT at: spaceobservatory@aol.com or Ed, WA2NDA at: wa2nda@verizon.net

WEIRD ANTENNAS OF NEW JERSEY

By Rebecca Mercuri, KA3IAX

Many of us are already familiar with "Weird NJ" but how many of you can recount its numerous Weird Antenna Projects? Dr. Rebecca Mercuri, KA3IAX, on Wednesday, May 2 will present a fascinating and entertaining talk that explores New Jersey's contributions to transmission history from telegraphy to Telstar! You will be taken on a virtual tour through the Garden State, featuring projects by Morse, Marconi, Tesla, Armstrong and many more, along with some intriguing tales, photographs, and classic cold war era newsreels.

Rebecca Mercuri, Ph.D. <www.notablesoftware.com> is a forensic computing expert with avid ham and audio interests. Her numerous accomplishments include: providing testimony in the Bush v. Gore election controversy, speaking (briefly) with Susan Helms on the ISS in a Field Day contact, and receiving citations from the ARRL and Red Cross for her amateur radio service during the 9/11 effort. Work activities involve criminal defense and intellectual property investigations, as well as consulting on security standards compliance documentation and product reviews. Rebecca is also an active member of the David Sarnoff Radio Club, the Chair of the IEEE Princeton / Central Jersey Section, and a co-founder of the Princeton area ACM/IEEE Computer Society. In her spare time, she enjoys mentoring future engineers and scientists, and visiting lighthouses (especially those with old antenna sites).

GSARA HOMEPAGE

<http://www.gardenstateara.org>

HUDSON DIVISION HOME PAGE

<http://www.hudson.arrl.org>

GSARA OFFICERS

President	W2XYZ	Frank Wroblewski	942-7705
Vice Pres.	W2HTS	Howard Suffill	460-1885
Secretary	W2OD	Bob Buus	946-8615
Treasurer	K2QXW	Bruce McLeod	946-4368
Engineer	N2LXM	Jeff Harshman	922-0816
Webmaster	KC2TKK	Josh Gluck	
Publicity	NJ2H	Bill Shockley	207-4466
Trustees	W2KQ	Joe Dreifuss	493-4236
	W2OD	Bob Buus	946-8615
	W2HAM	Lou Russo	842-6431

DX MEETING EACH LAST MONDAY

For those interested in DX or learning about how to chase DX, there is a meeting of DXers on the last Monday of each month at 7:30 PM at the Red Cross. The last Monday of May is on the 26th so mark your calendars if you would like to attend.

BADGES AND PATCHES

If you would like a GSARA name badge, you may order one by getting a Badge Order Form from our Secretary, **Bob Buus, W2OD**, filling it out and turning it in to Bob with your \$7.00 payment.

We also now have patches available at all meetings and they cost \$3.

OUTGOING QSL CARDS

If any GSARA members wish to combine their QSL cards that are going through the outgoing ARRL Bureau, please bring them to the next GSARA meeting along with the label from a recent QST Magazine (you must be an ARRL member to participate in this program). We then send them as a group at no charge to GSARA members. It couldn't be much easier than that to QSL. You are registered at the W2 incoming bureau, aren't you?

PROPAGATOR NOW ON THE WEB

The *Propagator* is available as a PDF file at:

<http://www.gardenstateara.org>

Click on "The Propagator" and then select the month you want.

EDITOR'S NOTES

Please note that our Hamfest is coming up on May 12 so mark your calendars accordingly. It looks like we will have some neat radios to raffle this time and we expect KJI Electronics to show up with lots of merchandise. Don't miss it! If you can help out, all the better. Joe would like the helpers to get there as early as possible (like 5:30 am). We'll need all the help we can get.

Thanks to Kevin, W2FA for providing two new columns. The one starting on page 4 lists Special Event stations that will be on in May. Work them to receive beautiful QSL cards and/or certificates. Then on page 7 Kevin lists upcoming hamfests. (Even though he omitted the GSARA Hamfest on May 12, we'll forgive him – this time.) If you find this information useful, please pass the word on the Kevin so he will be inclined to do it on subsequent months. Please excuse the small fonts used for this information but I was trying to save space to reserve room for other articles in this edition.

I'm looking forward to the upcoming talk by Dr. Rebecca Mercuri, WA3IAX on Weird Antennas in New Jersey (see page 1). I've heard nothing but praise for this talk so it should be fascinating. Don't miss it on May 2.

As in the past few months, the response to the 1-ohm resistor puzzle was poor with only two respondents. Because of space constraints, I decided to give the puzzles a rest this month. I may indeed quit publishing puzzles completely since interest seems to be low. Does anyone have a problem with that?

If you are interested in obtaining a gardenstateara.org email address which will give you webmail and POP3/SMTP access, please send an email to Josh at kc2tkk@gardenstateara.org with your First Name, Last Name, and Call Sign. Your email address call_sign@gardenstateara.org will be created and the login information sent back to the email address your request came from.

As always, I appreciate feedback or material for *The Propagator*. The deadline for the June issue is May 15.

73 de Bob, w2od@arrl.net

MINUTES OF APRIL 4 MEETING

By Bob Buus, W2OD, Secretary

President Frank Wroblewski, W2XYZ called the meeting to order at 7:32 PM at the Red Cross. There were 18 members and four guests present. The guests were Sherry Dietz, XYL of KD2ACJ; Matthew Copp, son of N2KPS; Nick Nichols, KD2AUT of Howell; and Bob Nichols, WA2FIS of Howell. After the pledge to the flag, all members introduced themselves.

Since this was a program meeting, there were no reports from officers or club business.

Program

The program was presented by Frank, W2XYZ and Howard, W2HTS and was about Winlink and WINMORE. This is a way to send and receive internet e-mail through amateur radio and is particularly useful in a state of emergency when internet access might not be available locally. Using a software package called RMS Express, a message can be sent by packet or Pactor to a CMS (Common Message Server) which puts it on the internet outside the local area. VHF nodes in the area with RMS capability include K2MON-10, N2SMV-10, K2GE-10, N2GW-10 and KB2MMR-10.

W2GSA provides an RMS node on 40 meters through the use of WINMOR which is a sound card protocol used instead of the more expensive Pactor. The capabilities were demonstrated by originating a message to all GSARA members' e-mail.

Announcements

The GSARA Hamfest is coming up on Saturday, May 12 at MAECOM. Plan now to help out wherever you can.

The Sheehan run in Red Bank is Saturday, June 12. Contact Tom, N2VFK if you can help.

Close

The door prize of \$18 was won by Steve, W2WLH and donated back to the club. Thank you, Steve. There being no further business, a motion was made to adjourn by Steve, W2WLH and seconded by Marty, N2BMK. With unanimous vote, the meeting was adjourned at 8:40 pm.

MINUTES OF APRIL 18 MEETING

By Bob Buus, W2OD, Secretary

President Frank Wroblewski, W2XYZ called the meeting to order at 7:32 PM at the Red Cross. There were 11 members and one guest present. The guest was Hunter Suffill, harmonic of Howard, W2HTS. After the pledge to the flag, all members introduced themselves.

Secretary's Report

A motion was made by Jeff, N2LXM and seconded by Ted, N2KPS to accept the minutes as published in the April Propagator. The motion passed unanimously.

Treasurer's Report

Treasurer Bruce, K2QXW gave his report. A motion was made to accept the treasurer's report and it passed unanimously.

Health and Welfare

Tony, KA2ZSI has been in the hospital to diagnose his weakness and dizziness.

Old Business

The sign-up sheet for the trip to the Battleship New Jersey in Camden was circulated. We will leave from the Red Cross on Friday, April 27 at 8:30 am.

Frank, W2XYZ purchased four 811 tubes for the 30L1 linear amplifier but an isolation relay was needed to properly control it with our solid-state rigs. An isolation relay was purchased for \$31 and the amplifier now works fine with our rigs.

Although Frank, W2XYZ was authorized to purchase a CW filter for the IC-718 station, he is waiting until after Dayton since he might find a better bargain there.

We were having trouble participating in a Red Cross net in communicating with Waterford Works. A lossy cable was replaced and the 2-meter station should now work much better.

Jeff, N2LXM is continuing to investigate whether GSARA might be able to operate from Twin Lights for the Lighthouse Weekend coming up in August.

Hamfests

The OMARC Hamfest is coming up on Saturday, April 21. GSARA Hamfest flyers will be distributed there.

The JSARA Hamfest is Sunday, April 29 and we hope to distribute GSARA Hamfest flyers there.

The GSARA Hamfest is Saturday, May 12. Joe, W2KQ distributed sign-up sheets for the various volunteer positions needed. Volunteers are asked to try to arrive as early as possible – 5:30 am or so on that day. A dual-band Wouxun HT is being purchased for a prize.

Field Day

We plan to operate as 2F again on Field Day but will use high power this year with our linear amplifiers. We still need an antenna that will work for 80 and 160 meters and suggestions from club members are solicited.

Announcements

Alan, W2NIR successfully upgraded to Extra Class. He was given a hearty round of congratulations!

The FCC is asking for comments as to how emergency communications has been compromised by amateurs being restricted by CC&Rs (restrictive antenna covenants). Comments are to be sent to the ARRL ASAP.

This day, April 18 is World Radio Day.

Our program on May 2 will be Dr. Rebecca Mercuri, KA3IAX talking about “Weird Antennas of New Jersey.” It should be both interesting and entertaining!

The NJ Marathon at the Shore is coming up on May 6 and will run from the Monmouth race track, Long Branch and Asbury Park. Hams are needed to provide communications. If you can help, contact Ed, WA2NDA.

Close

The door prize of \$10 was won by Bill, NJ2H. A second prize of a GSARA cap was won by Hunter Suffill. There being no further business, a motion was made to adjourn by Jeff, N2LXM and seconded by Joe, W2KQ. With unanimous vote, the meeting was adjourned at 8:36 pm.

SPECIAL EVENTS IN MAY

By Kevin Wagner, W2FA

05/01/2012 | Aerospacefest 2012

May 1-May 15, 0000Z-2359Z, K1A, Concord, NH. Sky is No Limit and Contoocook Valley Amateur Radio Clubs. 28.460 21.360 14.260 7.260. Certificate. Fred Reed, KK1KW, 103 Berry Pond Rd, Pittsfield, NH 03263. www.qrz.com/db/ka1sky

05/01/2012

CTRI Contest Group's 20th Anniversary

May 1-May 15, 0001Z-0000Z, Various, Various locations. CTRI Contest Group. 28.380 21.090 7.035 3.540. Certificate & QSL. Patrick Atwood, NG1G, 197 Sand Pond Rd, Warwick, RI 02888. Members will operate from Connecticut, Rhode Island, Massachusetts and Vermont using individual 1x1 call signs. Work 10 call signs for certificate; send QSL card or log info plus large SASE and \$2 to defray the cost of certificate. Submissions must be postmarked not later than June 1, 2012. Operations will be on various frequencies and modes at various times, including numerous entries in the New England QSO Party, May 5-6. The following call signs will be activated: CT – K1C, K1Q, K1R, K1T, N1M, N1Q, W1A; RI – K1B, K1D, K1G, K1J, K1K, K1L, K1O, K1U, K1W, N1H, N1R, W1M, W1W, W1Y; MA – K1N, K1V, W1B; VT – K1M. See members' www.qrz.com page or www.wa1rr.org

05/02/2012 | Smokey Bear Days

May 2-May 7, 0000Z-2359Z, W5S, Capitan, NM. Sierra Blanca Amateur Radio Club. 14.250 14.030 7.250 7.030; 20 m PSK31; other bands possible. QSL. SBARC, PO Box 773, Ruidoso, NM 88355. www.sbarcnm.org

05/04/2012 | Liberty Heritage Days

May 4-May 6, 1900Z-0200Z, W5CCW, Liberty, MS. Amateur Radio Club of Amite County. 28.450 14.240 14.040 7.240. QSL. Paul J. McGehee, 4044B Hwy 567N, Liberty, MS 39645. w5ccw.net

05/04/2012

Martha's Vineyard DXpedition

May 4-May 6, 1200Z-1800Z, W1ACT, Chilmark, MA. Team HAMCOW/Fall River Amateur Radio Club. 28.380 28.040 14.280 14.040 21.380 21.040 7.280 7.035. QSL. Roland Daignault Jr, 19 Davis Rd, Westport, MA 02790. 19th annual DXpedition to Gay Head Lighthouse, Martha's Vineyard Island IOTA NA-046, US Islands MA-005S. Dukes County, MA. Operating during NEQP. Watch for updates on the HAMCOW web site throughout the weekend. SASE only please. QSL direct via N1JOY. www.qsl.net/bcra or hamcow.net

05/05/2012

8th Anniversary of 72 Rag Chew Group

May 5-May 6, 1215Z-0700Z, K2R, Brooklyn, NY. 72 Rag Chew Group. 7.271 - 8:15 AM EDST; 7.272 - 9AM EDST. Certificate & QSL. Robert W Lobenstein, WA2AXZ, 1958 E 36th St, Brooklyn, NY 11234. www.ragchewers.com

05/05/2012

Commemorate Kingman, AZ, Army Airfield WW2 Gunnery School

May 5, 1700Z-2300Z, N7K, Kingman, AZ. Hualapai Amateur Radio Club. 28.480 21.380 14.240 7.240. QSL. Hualapai Amateur Radio Club, PO Box 6908, Kingman, AZ 86402. To thank the 36,000 gunners trained in Kingman, AZ, who fought for freedom during WW2. "All gave some and some gave all." Special QSL issued with SASE and QSO information 30 days after event.

05/05/2012

Greensburg Kansas Tornado 5th Ann.

May 5, 1600Z-2100Z, KS0SA, Greensburg, KS. Salvation Army Team Emergency Radio Network, Kansas and Western Missouri, Salvation Army Emergency Disaster Services. 10.115 18.135 7.255 14.040. Certificate & QSL. The Salvation Army EDS, Greensburg Special Event Attn Dee Smith, PO Box 412577, Kansas City, MO 64141. Tragedy to Triumph 5 years Later -- Salvation Army and SATERN honor Greensburg Kansas and its Rebirth. www.satarn.salvationarmy.us

05/19/2012

American Air Power Museum

May 19-May 20, 1200Z-2100Z, W2GSB/APM, West Babylon, NY. Great South Bay Amateur Radio Club. 14.225 7.175 3.850 PSK 14.070. QSL. Great South Bay Amateur Radio Club/APM, PO Box 1356, West Babylon, NY 11704. We will also be operating on AO-27- SO-50 Amateur Satellites. www.gsbarc.org

05/19/2012 | Armed Forces Day

May 19, 1400Z-2000Z, W9DUP, Clarendon Hills, IL. DuPage Amateur Radio Club. 145.430 28.400 14.290 7.250. Certificate. Brian Eder, WB9UGX, 206 N Wilmette St, Westmont, IL 60559. www.w9dup.org

05/19/2012 | Boy Scout Camporee

May 19, 1200Z-2359Z, N1MHC, East Boothbay, ME. Troop 238, Central Eastern Section Pine Tree Council. 14.262 14.062 7.262 7.062. Certificate & QSL. Sara Sherman, Scoutmaster, c/o N1MHC, PO Box 2, East Boothbay, ME 04544. From the Boothbay Railway Museum.

05/20/2012

K6E Annular Solar Eclipse May 20 2012

May 20-May 21, 1900Z-0200Z, K6E, Mount Shasta, CA. Mt. Shasta Amateur Radio Club. 146.552 28.348 21.348 14.348. Certificate. Mt Shasta Amateur Radio Club, 329 N Washington Dr, Mount Shasta, CA 96067.

Please send SASE with request for a certificate. msarc-mail@yahoogroups.com

05/26/2012

75th Ann. of the Golden Gate Bridge

May 26-May 27, 0000Z-2359Z, N6G, Healdsburg, CA. Will Pattullo. 21.265 14.265 7.265. QSL. Will Pattullo, 161 Presidential Cir, Healdsburg, CA 95448. ae6yb.tripod.com/n6g

05/26/2012

Chantilly Farm Bluegrass Festival

May 26, 1400Z-2000Z, N4USA, Floyd, VA. Foundation for Amateur International Radio Service. 28.400 21.325 14.318 14.250 7.235. Certificate. N4USA, PO Box 179, Floyd, VA 24091. Chantilly Farm is 100 acres in the Blue Ridge Mountains of Floyd County VA. If you want a QSL also just let us know & it will be sent along with certificate. See us at Dayton Hamvention booth 412. www.fairs.org

05/26/2012

Golden Gate Bridge 75th Anniversary

May 26-May 27, 2000Z-2200Z, W6G, San Francisco, CA. San Francisco Amateur Radio Club. 28.375 24.975 21.275 18.125 14.275 7.175 3.750. Certificate & QSL. Tony Dowler, PO Box 1749, Pacifica, CA 94044. SSB and CW. Certificate available for working 5 Bands. www.sfarc.org

05/26/2012 | Peanut Island

May 26-May 27, 1300Z-1600Z, W4JUP, West Palm Beach, FL. Jupiter Tequesta Repeater Group. 18.130 14.240 14.072.70 7.180. QSL. QSL Manager, PO Box 7751, Jupiter, FL 33469. Operating from underground in the bunker built as an atomic shelter and command center for President J. F. Kennedy during the height of the cold war. This will be our 3rd annual visit and looking forward to the contacts! PeanutIsland.JTRG.Org

05/28/2012

20th Anniversary of the USS Lexington Museum Ship

May 28-May 29, 1300Z-0100Z, W5LEX, Corpus Christi, TX. South Texas Amateur Radio Club. 14.325. QSL. Larry Boudreau, 910 Stromen, Corpus Christi, TX 78411. www.n5crp.org

05/28/2012

Commemorating Memorial Day

May 28, 1500Z-2200Z, W0FSB, Waterloo, IA. Five Sullivan Brothers Amateur Radio Club. 21.240 14.240 7.240. Certificate & QSL. Vernon Mc Nulty, 4015 Independence Ave, Waterloo, IA 50703. t-mc-nulty@msn.com

Only three words in Standard English begin with the letters 'dw' and they are all common words. Name two of them (answer on next page).

W2GSA AND THE PACKET NETWORK

Don't know if you and GSARA are aware of the modifications I've made to the Flexnet packet network and W2GSA's role in that and how it has changed...

Until about 6 months ago, traffic going to central and southern NJ went from WA2SNA in Wanaque, Passaic County down to WB2SNN in Sayreville, Middlesex County via a 9600 baud UHF link. WB2SNN then distributed it to the central and southern NJ systems like W2GSA, NJ2AR in Lakehurst, KC2QVT in Westhampton, Burlington County, and W2ZQ in West Trenton, Mercer County.

WB2SNN went down about 6 months ago and we have not heard much from the Sysop about when and if it was coming back despite my offer to donate and program a new computer for him.

So to keep the network connected, I modified the linking taking advantage of the fact that both W2GSA and W2LI in Murray Hill, Union County share the same 2 meter user frequency specifically 145.05 MHz. So W2GSA became a very important link in the network.

But that was occurring on the 2 meter user frequency which had the potential to tie it up for the users. The other thing was that with WB2SNN down, the forwarding of the bulletins going southward stopped. You might have noticed that.

Well after hearing no more about the fate of WB2SNN, I decided to make some changes. I approached the Tri County Radio Association (TCRA) that runs W2LI and told them I would supply a TNC, another 220 radio, a 5 element 220 beam and feedline if they would install it at their site and the antenna/feedline on their tower. They agreed. After several attempts at getting it up and running the link between W2LI and W2GSA is now back on the 220 backbone frequencies and off the 2 meter user frequencies and the bulletin forwarding is now back in place. Part of the success of this project was due to the great location and tower/antenna spot of the W2GSA 220 port. So now W2GSA is part of the critical link between the northern, central, and southern parts of the NJ Flexnet network. One of the things this enhances is the communications going to the various RMS Packet WL2K gateways that have been set up as another route into WL2K in addition to

your Winmor operation. BTW my RMS Packet operation is reachable via Flexnet, I also have RMS Relay co-installed on the same computer to take over as a stand alone server if my link to a CMS goes away due to a local to me internet failure. In addition to that, I also have a SCS Pactor 3 modem interfaced with my HF station that can take over and forward any messages via high speed Pactor 3 that RMS Relay may be holding out to another RMS HF Pactor operation that has internet access to the CMS.

For what it is worth if your local internet infrastructure goes down taking out W2GSA-5 and your local RMS Packet operations you can reach me via the Flexnet network provided it is still up and running by first connecting to W2GSA-2 on 145.05 and then issuing the command "C WB2FTX-10 via WA2SNA." You can actually program that into your connect scripts with RMS Express, Paalink, and Airmail.

Just thought you should be aware what a valuable service GSARA is providing to the NJ digital community. You might want to pass this along to your members. If you have any questions, just ask.

73 Dave WB2FTX

FRED MAIA, W5YI - SK

The holder of one of the best-known US Amateur Radio call signs, Frederick "Fred" Maia, W5YI, of Arlington, Texas, died of cancer on March 28. He was 76. Maia was a leading Amateur Radio journalist for nearly 35 years and a pioneer of the Volunteer Examiner program adopted by the FCC in 1984, and was the first Volunteer Examiner Coordinator (VEC) appointed by the FCC. Maia subsequently founded The W5YI Group in 1986 to develop, publish and sell amateur and commercial radio license study materials. In the realm of FCC commercial radio licensing, Fred formed National Radio Examiners to provide examination services. Read more here.

From *The ARRL Letter*, April 5, 2012

Three English words beginning with dw:
Dwarf, dwell and dwindle.

HAMFESTS IN MAY

By Kevin Wagner, W2FA

05/05/2012

The Great Hagerstown Hamfest

Location: Boonesboro, MD

Type: ARRL Hamfest

Sponsor: Antietam Radio Association (W3CWC)

Website: <http://www.w3cwc.org/HamFests.html>

[Learn More](#)

05/06/2012

Warminster Hamfest

Location: Newtown, PA

Type: ARRL Hamfest

Sponsor: Warminster Amateur Radio Club

Website: <http://www.k3dn.org/hamfest.htm>

[Learn More](#)

05/27/2012

Memorial Day Hamfest

Location: West Friendship, MD

Type: ARRL Hamfest

Sponsor: Maryland FM Association

Website: <http://www.marylandfm.org>

[Learn More](#)

05/18/2012

Dayton Hamvention

Location: Trotwood, OH

Type: ARRL Hamfest

Sponsor: Dayton Amateur Radio Association

Website: <http://www.hamvention.org>

[Learn More](#)

VINTAGE COMPUTER FESTIVAL

The eighth Vintage Computer Festival East will be held on Saturday, May 5th and Sunday, May 6th, at the InfoAge Science Center at Wall, New Jersey.

Each day begins at 9:30am with a brief opening session. Lectures and workshops last until 2:00pm. The exhibit hall and marketplace runs from 2:00pm until 7pm Saturday, and 2pm until 5:30pm Sunday. We anticipate 20-30 exhibitors. There will also be vendors, consignment, a book sale, prizes, food, museum tours, and more.

Tickets are \$10 for one day, \$15 for both days, and FREE for ages 17 and younger. Parking is free.

It's scary when you start making the same noises as your coffee maker.

DIGITAL QST COMING SOON

The new digital edition of QST will debut toward the end of May. If you are an ARRL member and you haven't yet signed up to be notified automatically when the digital edition becomes available, you can do so easily. Just click on the "Edit your profile" link on the ARRL website. Once you are in your profile, click "Edit e-mail subscriptions" and then check the box next to "Notification of monthly digital edition of QST." That's all there is to it. A new FAQ about the digital edition has the answers to the questions ARRL members have been asking (it can also be accessed from the QST page on the ARRL website). We hope you enjoy the new digital edition of QST.

From *The ARRL Letter*, April 19, 2012

AMATEUR LICENSES GROW

NEW FCC LICENSES ISSUED 2006 THROUGH MARCH 2012							
Year	2006	2007	2008	2009	2010	2011	2012
Jan	1,274	1,647	1,755	1,960	1,726	1,200	1,502
Feb	1,605	2,435	2,998	2,263	2,749	1,803	2,752
Mar	2,531	3,478	2,816	3,463	3,734	2,806	3,278
subtotal	5,410	7,560	7,569	7,686	8,209	5,809	7,532
Apr	1,728	2,673	3,090	3,430	3,508	2,677	0
May	2,283	2,607	2,662	2,717	3,136	2,147	0
Jun	1,967	2,281	2,402	3,011	3,417	2,378	0
Jul	1,401	1,785	2,077	2,220	1,643	1,556	0
Aug	1,623	2,183	2,084	2,102	1,358	1,698	0
Sep	1,357	1,462	1,763	2,116	1,330	1,787	0
Oct	1,781	2,109	2,303	2,404	1,642	1,967	0
Nov	1,993	2,132	2,197	2,344	1,823	2,363	0
Dec	1,569	1,935	2,019	2,114	1,462	1,690	0
Totals	21,112	26,728	28,066	30,144	27,528	24,072	7,532

Click [here](#) to view a larger image.

The first quarter of 2012 (January-March) saw a high level of Amateur Radio license exam sessions, producing an elevated influx of applications for new licensees. According to ARRL VEC Manager Maria Somma, AB1FM, these numbers outpaced the 2011 first quarter results by 30 percent. This uptick does not only apply to new applications; there was a 6 percent increase in the number of upgrades, too. "Statistics over the last 13 years reveal that these are some of the highest numbers that we've seen since the early 1990s for the total number of US amateurs," Somma said. "Now there are more than 704,000 radio amateurs in the US." Read more here.

From *The ARRL Letter*, April 12, 2012

TEN YEARS AGO

From the May 2002 Propagator: Members voted to change the meeting start time from 8 pm to 7:30 pm. A first class postage stamp is going up from 34 to 37 cents.

FIFTEEN YEARS AGO

From the May 1997 Propagator: Al Allen, K2LG became a silent key. Marlo Montanaro, KA2IRQ took over Monmouth County ARES/RACES from Roy Edwards, KB2LUO. A 4-page Roster was included and showed 136 members of GSARA!

TWENTY YEARS AGO

From the May 1992 Propagator: The program for the first meeting in May featured Frank Gunther, W2ALS (SK) talking about early two-way police radio. Frank was an honorary member of GSARA and worked with Armstrong on early FM radio. Roy Edwards, KB2LUO and Charles "Bus" White, N2NAU joined GSARA.

TWENTY-FIVE YEARS AGO

From the May 1987 Propagator: New members to GSARA included Dom Cafro, KB2CMF; Joe Sudyka, KB2CLZ; and Jim Grandinetti, KZ2P.

THIRTY YEARS AGO

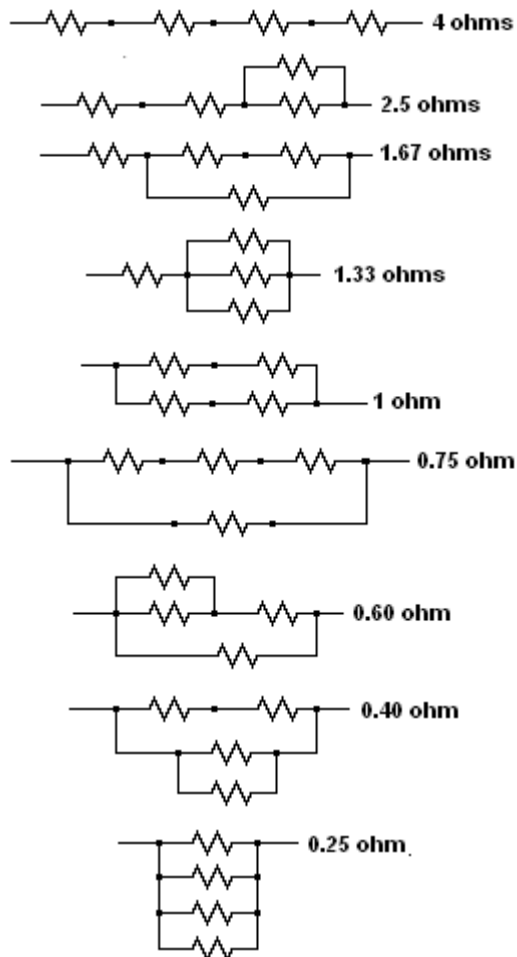
From the May 1982 GSARA Newsletter (it was not yet called The Propagator): Ken Hampton, KA2KKB upgraded to Extra and is now KY2S. The program for the May 5 meeting featured Vince Rosati, KE2V demonstrating a spectrum analyzer. The May 19 meeting featured Darryl Harvan, WA2AYF – SK talking about lightning and protection.

FORTY YEARS AGO

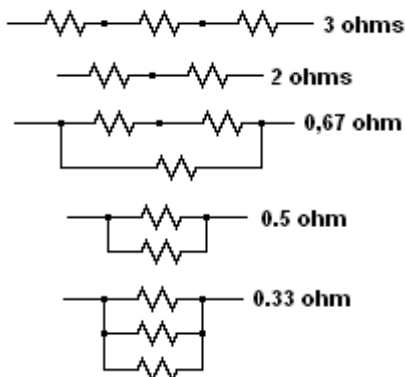
The May 16, 1972 GSARA meeting featured Dr. Harold Zahl talking about his new book "RADAR SPELLED BACKWARDS." During the week of May 14-22, 1972, GSARA and the Old Old Timers Club operated special event station WM2GK at twin lights to commemorate the Marconi-Kemp over-water radio experiments in England.

SOLUTION TO RESISTOR PROBLEM

The problem was to determine how many different resistance values can you make by connecting 1-ohm resistors four at a time in various series-parallel combinations?. The answer is 9 different combinations as shown:



If we allow less than four resistors per combination, we can get 5 new values:



Congratulations to Jim, WA2HPD and Matt, W2AOJ for submitting their answers.

NOTES ON CALENDAR (see next page)

Large Call letters denote birthdays e.g. N2JFL on May 5. All times are EDST. Contests are listed in the May QST, p. 79.

May 1 – **Middletown Pancake House Luncheon** at noon at left rear table. All are welcome.

May 1 – **Old Barney VE Session** at 6:30 pm in Manahawkin. Contact Urb Lejune, W2DEC at 609-296-5785 or urb@usats.com

May 1 – **Old Barney ARC Meeting** at 7:30 pm at Ocean Acres Community Center in Manahawkin, NJ. See <http://www.obarc.org>

May 1 and every following Tuesday – **QCWA News Net** on 147.045 PL=67 at 9:00 pm.

May 2 – **GSARA Meeting, 7:30 PM** at the Red Cross, West Park Ave. & Shafto Road, Tinton Falls. Weird Antennas of New Jersey.

May 3 - **Holiday City ARC meeting** at 7 pm at Holiday City South Clubhouse in Toms River.

May 6 and every Sunday – **InfoAge Marconi Hotel** open from 1 to 5 pm on Marconi Road in Wall.

May 7 - **W1AW Qualifying Run** at 7 pm (10-35 wpm). See www.arrl.org/qualifying-run-schedule

May 7 - **Monmouth County ARES Net** meets on 147.045 +600, PL=67.0 at 7:30 pm.

May 8 – **VE Test Session** at Croyden Hall, Leonardo section of Middletown at 7:00 pm. For more information, contact Mario Sellitti, N2PVP at 732-787-7184 or n2pvp@n2pvp.com

May 9 – **Holiday City VE Session** at 7 pm in Toms River. Contact is Larry Puccio, K2QDY at 732-349-2950 or e-mail at lpuccio1@comcast.net

May 10 – **JSARS meeting** in Riverwood Park Recreation Building, Rt. 527 and Riverwood Drive in Toms River at 7:30 pm.

May 12 – **GSARA Hamfest at MOESC** (formerly MAECOM) in Tinton Falls. Buyers at 7 am and VE testing at 10 am. \$5 per person with XYL & children under 12 free. See w2kq@arrl.net or call 732-493-4236.

May 12 – **OMARC Meeting**, 9:00 am at the Diana Site on Marconi Road, Wall, NJ. Guests are welcome.

May 12-13 – **Armed Forces Communications Test**, SSB and digital from 8 am Saturday to 7:59 pm Sunday. See <http://www.netcom.army.mil/mars>

May 12 – **50 MHz Spring Sprint**, all modes from 7 pm to 10:59 pm. See <http://www.sites.google.com/site/springvhfupsprints>

May 14 - **Monmouth County RACES Net** meets on 147.045 +600, PL=67.0 at 7:30 pm.

May 15 – **JSARS VE Test Session** at 7:30 pm Riverview Park Recreation Bldg., Rt. 527 and Riverwood Drive in Toms River. Contact Ed Genoino, WA2NDA at 609-971-2792 or wa2nda@comcast.net.

May 16 – **GSARA Meeting** at 7:30 pm at the Red Cross in Tinton Falls. Regular business meeting.

May 25-27 – **CQ WW WPX CW Contest** from 8 pm Friday to 7:59 pm Sunday. See <http://www.cqwp.com>

May 25 – **W1AW Qualifying Run** at 9 am (10-40 wpm). See <http://www.arrl.org/qualifying-run-schedule>

May 26 – **Neptune Amateur Radio Club Meeting** at 9 am at the American Legion on Gully Road.

May 28 - **Monmouth County RACES Net** meets on 147.045 +600, PL=67.0 at 7:30 pm.

May 28 – **GSARA DX Interest Group** at 7:30 at the Red Cross.

Sunday	Monday	Tuesday	Wednesday	Thursday	Friday	Saturday
		1 Pancake House Old Barney ARC QCWA News 9 PM	2 GSARA Mtg	3 Hol. City Mtg.	4	5 N2JFL
6 InfoAge	7 CW Qual. Run ARES/RACES 7:30	8 Croyden VE 7 PM QCWA News 9 PM	9 Hol. City VE	10 JSARS Mtg.	11	12 OMARC Mtg GSARA Hmfst Armed Forces 50 MHz Sprint
13 Armed Forces InfoAge	14 RACES Net 7:30	15 QCWA News 9 PM	16 GSARA Mtg.	17 JSARS VE	18	19
20 InfoAge	21 ARES/RACES 7:30	22 N2BMK QCWA News 9 PM	23	24 KC2QAT	25 CW Qual. Run CQ WPX CW	26 Neptune Mtg CQ WPX CW
27 CQ WPX CW InfoAge	28 RACES Net 7:30 DX Mtg 7:30	29	30	31		



G.S.A.R.A.

8 DONNER STREET

HOLMDEL, NJ 07733

FIRST CLASS